



# Lawson®

## 32" Whirlpool Bath

### 76261110



### Features

- Left drain.
- Durable high-gloss finish.
- 60-1/4" (1530 mm) x 32" (813 mm) x 20-5/16" (516 mm) unit rough-in dimension include nailing flange.
- 60" (1524 mm) x 32" (813 mm) x 20-5/16" (516 mm) complete unit finished dimensions.

### Material

- Compression-molded from our exclusive solid Vikrell® material.

### Hydrotherapy

- Pump with air switch and grounding-type plug-in cord.
- Six fully-adjustable hydro-massage jets (color-matched and factory-installed).

### Installation

- Drop-in or alcove installation.

### Recommended Accessories

- 71287100 Tile-in Flange Kit for 60" Models
- 76268100 Apron with Access Panel
- 71268100 Standard Bath Apron



### Codes/Standards



- ASME A112.19.7/CSA B45.10
- CSA B45.5/IAPMO Z124
- ASTM E162
- ASTM E662
- UL 1795
- Greenguard UL 2818 - Gold

### Warranty – Bathing Fixtures (and Kitchen and Utility Sinks Made of Solid Vikrell® Material)

See website for detailed warranty information.

### Available Color/Finishes

*Color tiles intended for reference only.*

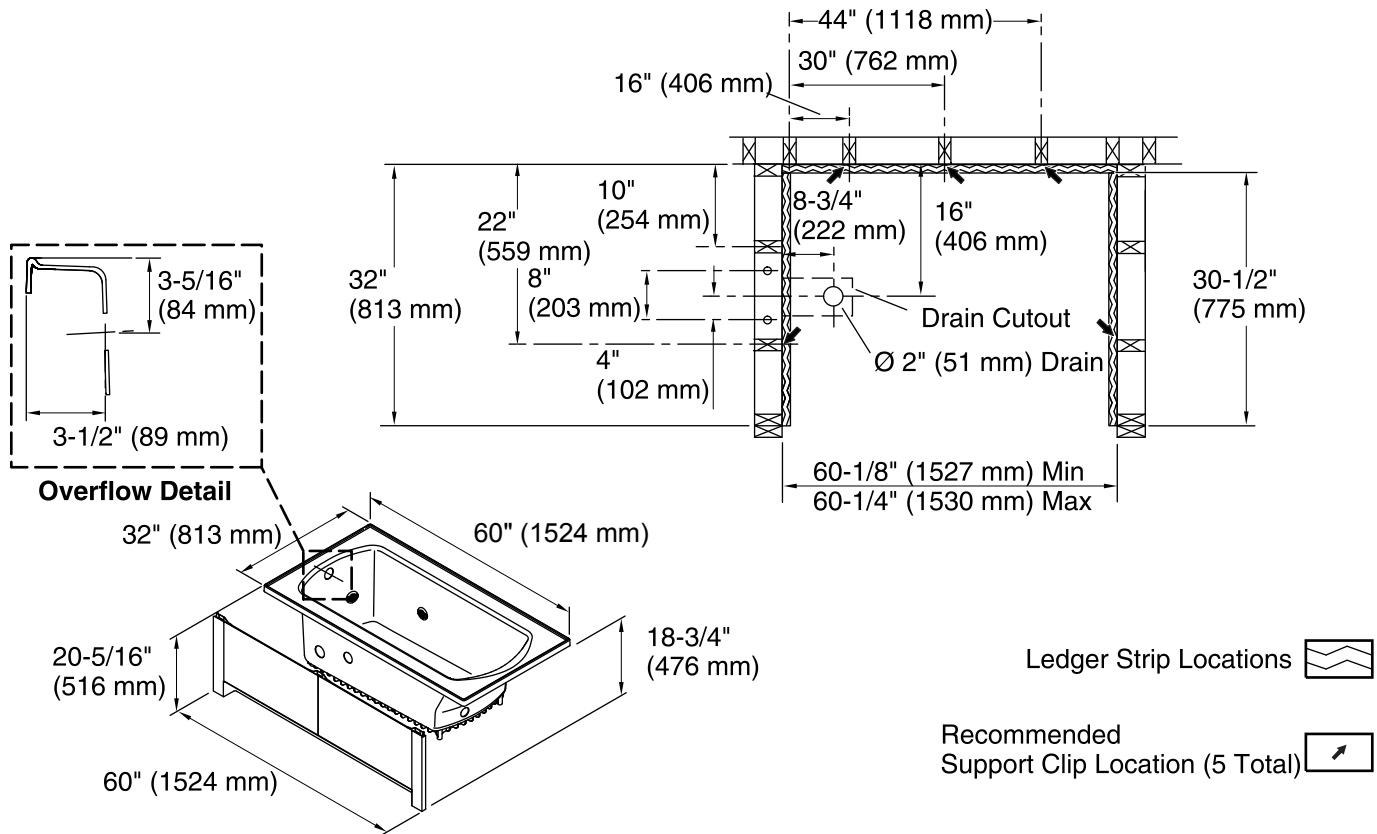
Color	Code	Description
	0	White
	96	KOHLER Biscuit

1-800-STERLING (1-800-783-7546)

Kohler Co. reserves the right to make revisions without notice to product specifications.

For the most current Specification Sheet, go to [www.sterlingplumbing.com](http://www.sterlingplumbing.com).

9-28-2018 14:37



### Required Electrical Service

One dedicated circuit required, protected with Class A Ground-Fault Circuit-Interrupter (GFCI) or Residual Current Device (RCD).

Pump: 120 V, 15 A, 60 Hz

### Technical Information

All product dimensions are nominal.

Installation: Drop-in, 3-Wall Alcove

Drain location: Left

Basin area, bottom: 44" x 21-1/2" (1118 mm x 546 mm)

Basin area, top: 51" x 22-3/4" (1295 mm x 578 mm)

Water depth: 15-1/4" (387 mm)

Water capacity: 53 gal (200.6 L)

Electrical component rating: Pump: 120 V, 7 A, 60 Hz

Pump speed: Single

Minimum flat for door: 3" (76 mm)

### Notes

- Install this product according to the installation instructions.
- Provide one grounded electrical outlet within 24" (610 mm) of each component.
- Measure your actual product for roughing-in details.
- Pump is supplied with 24" (610 mm) grounding-type plug-in cord.
- Pump service access is required.
- Size the drain cutout to fit the drain assembly that will be used.
- Studs should be positioned roughly as shown.