



Finesse™

Frameless Pivot Shower Door

6305-39

Features

- Frameless
- 1/4" glass
- CleanCoat technology
- Knob handle
- Out-of-plumb adjustability
- Tempered glass ensures maximum safety and durability
- Anodized aluminum prevents rusting and corrosion

Installation

- Not for use in hospitality.
- For residential use only.

Included Components

Additional Components:

Hardware kit



Codes/Standards

ANSI Z97.1

CPSC 16CFR 1201

STERLING® Warranty - Bath and Shower Doors

See website for detailed warranty information.

Available Colors/Finishes

Color tiles intended for reference only.

Color	Code	Description
-------	------	-------------

DR

N

S

Available Glass Options

Code	Description
------	-------------

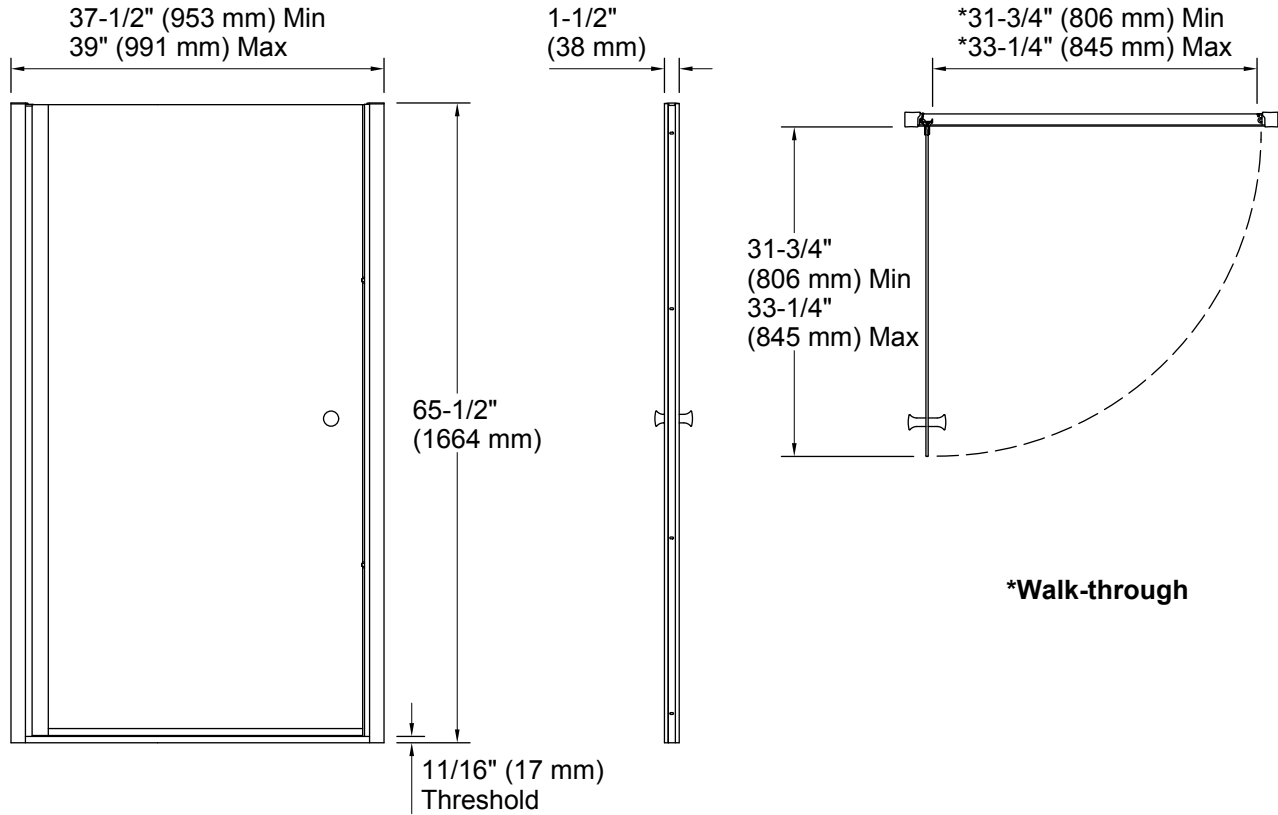
Clear

1-800-STERLING (1-800-783-7546)

Kohler Co. reserves the right to make revisions without notice to product specifications.

For the most current Specification Sheet, go to www.sterlingplumbing.com.

4-25-2019 23:28 - US/CA



Technical Information

All product dimensions are nominal.
 Installation type: For shower base installation
 Opening Width - Min: 37-1/2" (953 mm)
 Opening Width - Max: 39" (991 mm)
 Walk-through - Min: 31-3/4" (806 mm)
 Walk-through - Max: 33-1/4" (845 mm)
 Glass thickness: 1/4" (6 mm)
 Glass coating: CleanCoat®

Notes

Install this product according to the installation guide.
 The vertical opening should be a minimum of 66" (1676 mm) to allow for installation clearance.