

**For Residential and Commercial Applications**

Job Name \_\_\_\_\_  
 Job Location \_\_\_\_\_  
 Engineer \_\_\_\_\_  
 Approval \_\_\_\_\_

Contractor \_\_\_\_\_  
 Approval \_\_\_\_\_  
 Contractor's P.O. No. \_\_\_\_\_  
 Representative \_\_\_\_\_

**LEAD FREE\***

**Series 3200**  
**Dielectric Flanged Pipe Fittings**

**Sizes: 2" – 4"**

Series 3200 Dielectric Flanged Pipe Fittings feature an iron pipe thread to iron pipe thread connection. These fittings are designed to be installed between pipe made from dissimilar metals to prevent accelerated corrosion and deterioration in the piping system due to galvanic and stray current.

**Features**

- Iron pipe thread to iron pipe thread
- Designed and manufactured to the highest quality standards
- Rated to at 175psi (12.1 bar)

**Specifications**

A dielectric fitting shall be installed where indicated on the plans. The fitting shall feature an iron pipe thread to iron pipe thread. The fitting shall be a Watts Series 3200.

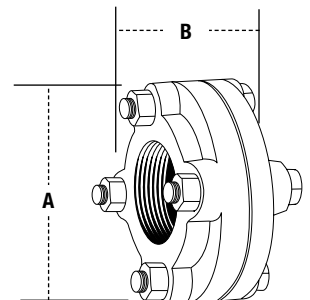


3200

**Pressure – Temperature**

Maximum Pressure: 175psi (12.1 bar)

Maximum Temperature: 180°F (82°C)



**Materials – Dimensions – Weights**

SIZE	MATERIALS					DIMENSIONS				WEIGHT	
	TAIL PIECE	ADAPTER †	BOLT & NUTS †	INSULATOR	GASKET	A		B		oz.	gm.
<i>in.</i>						<i>in.</i>	<i>mm</i>	<i>in.</i>	<i>mm</i>		
2	Gray Cast Iron	Gray Cast Iron	Steel	Polysulfone	Buna-N	5½	130	2½	54	8	3.6
2½	Gray Cast Iron	Gray Cast Iron	Steel	Polysulfone	Buna-N	5½	149	2¾	70	12	5.4
3	Gray Cast Iron	Gray Cast Iron	Steel	Polysulfone	Buna-N	6¾	171	2¾	70	15	6.8
4	Gray Cast Iron	Gray Cast Iron	Steel	Polysulfone	Buna-N	9½	232	3	76	31	14.1

† Gray cast iron and steel components are zinc plated

**\*The wetted surface of this product contacted by consumable water contains less than 0.25% of lead by weight.**

Watts product specifications in U.S. customary units and metric are approximate and are provided for reference only. For precise measurements, please contact Watts Technical Service. Watts reserves the right to change or modify product design, construction, specifications, or materials without prior notice and without incurring any obligation to make such changes and modifications on Watts products previously or subsequently sold.



**USA:** Tel: (978) 688-1811 • Fax: (978) 794-1848 • www.watts.com  
**Canada:** Tel: (905) 332-4090 • Fax: (905) 332-7068 • www.watts.ca

