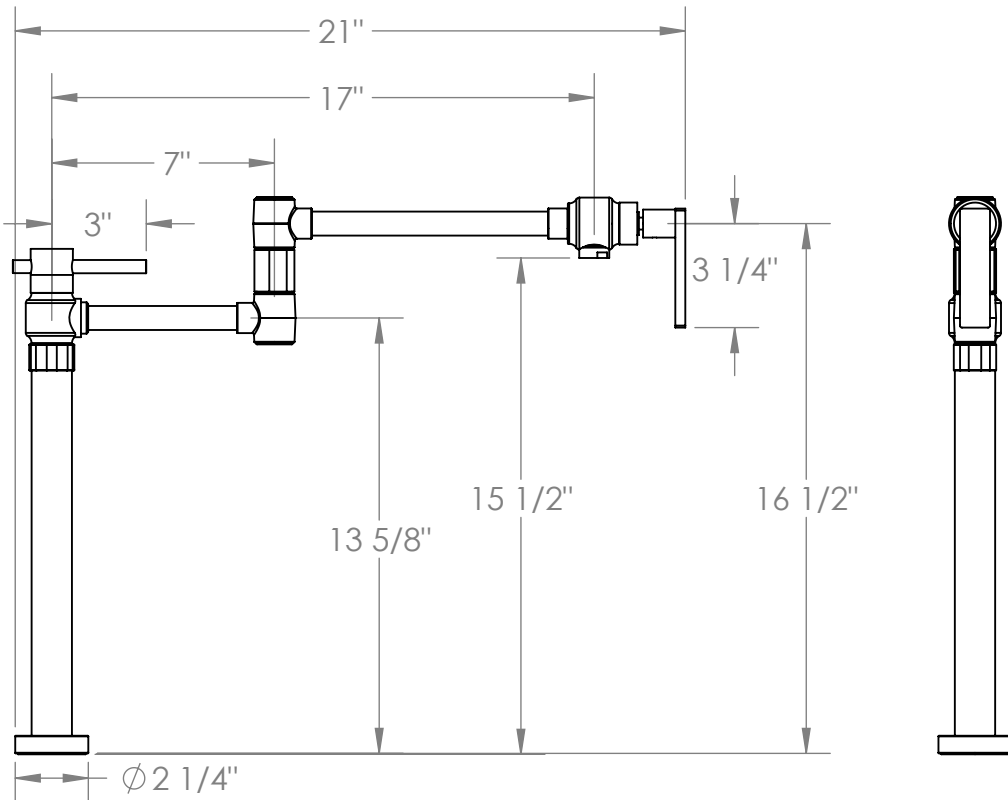


70-7.9-RNK8
Deck Mount Pot Filler



Meets the applicable requirements of ASME A112.18.1-2005/CSA B125.1-05, entitled "Plumbing Supply Fittings"