

**WE RECOMMEND THAT ALL PLUMBING PRODUCTS BE
INSTALLED BY A LICENSED PROFESSIONAL**

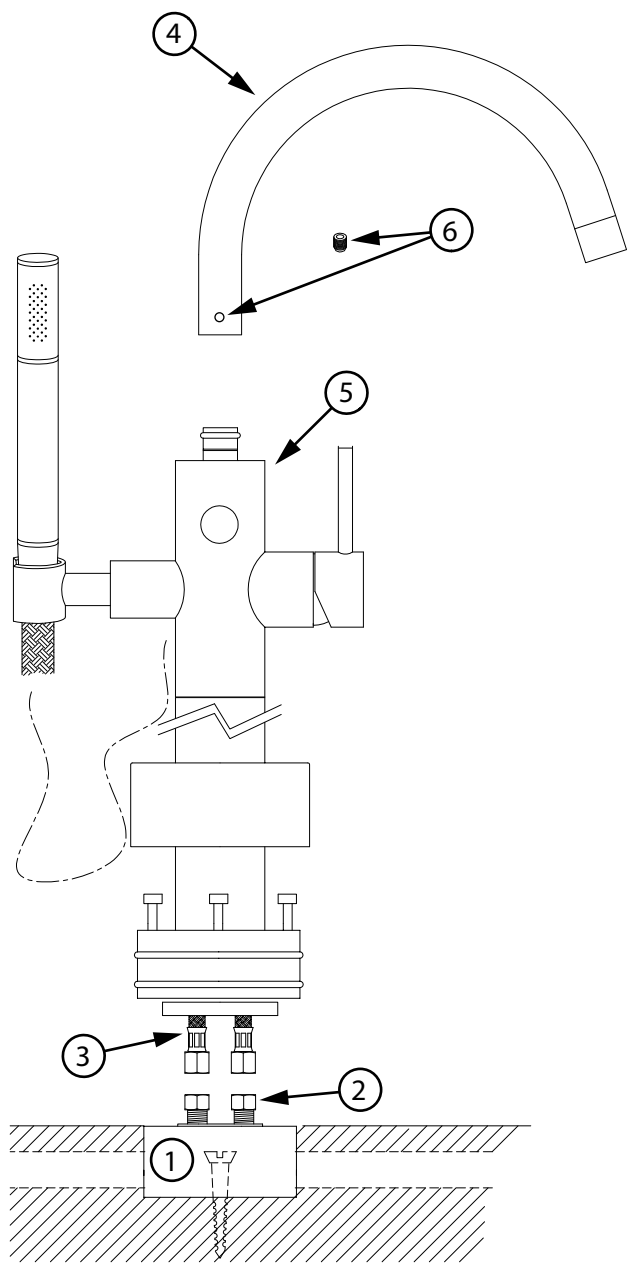
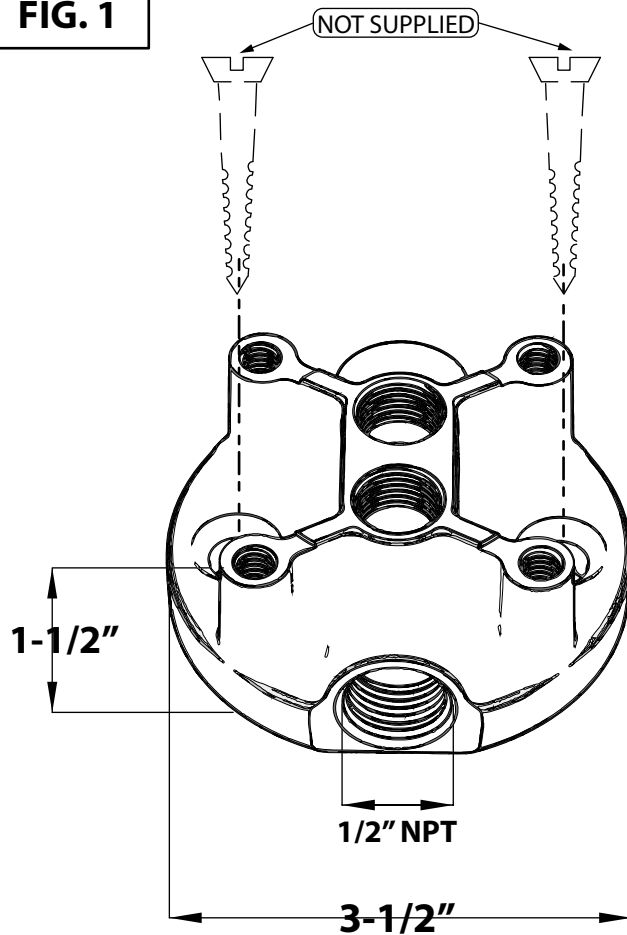


FIG. 1



- Place the **QUICK CONNECT CYLINDER (1)** horizontally at the same level as the floor (SEE LABEL ON QUICK CONNECT FOR FINISHED FLOOR MIN. - MAX LEVELS)
- Use screw or anchors to secure the **QUICK CONNECT** to the floor as shown in **FIG. 1** (Screws and anchors are not supplied)
- Take off **CAPS (2)** before connecting the **FLEXIBLE HOSES (3)** to the **QUICK CONNECT (1)**
- Connect the **SPOUT (4)** to the **BODY (5)** and firmly secure with the supplied **SET SCREW (6)**

IMPORTANT: Flush supply lines of all debris prior to connecting to faucet valve bodies. Debris remaining in the line will damage valve bodies and cause leaking. Failure to flush the lines could result in VOIDING the warranty