



MUSTEE
Preferred by the "Pros"

21F LIL'TUB™ UTILATUB® Utility Tub

SEE PAGE 2 FOR A LIST OF ACCESSORIES!



- One piece molded tub of impact-resistance polypropylene
- Extra narrow – just 18" wide – fits where other tubs can't
- 15 Gallon capacity, extra deep 12-3/4" tub with smooth surface
- Leakproof, integrally molded-in drain with stopper
- Connects to standard 1½" P-trap
- Accommodates single or dual-handle faucet with 4" or 8" center
- Includes finished steel legs with adjustable levelers
- Mold and mildew-resistant components
- Easy to assemble and install
- Color-fast white finish

Specifications

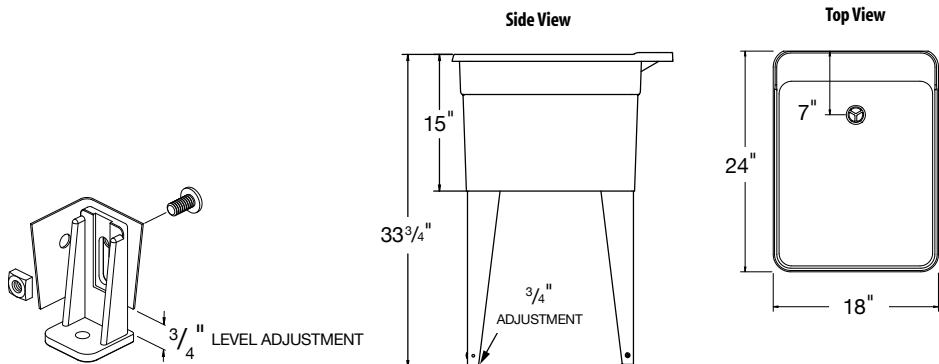
Code Accepted

BIGTUB™ UTILATUB® meets or exceeds applicable performance requirements as listed:

- International Association of Plumbing and Mechanical Officials (IAPMO)® Listed US/CANADA



Colors & Models:	Model	Mounting	Outside H x W x D	Inside H x W x D	UPC
White	21F	Floor	34" x 18" x 24"	12-3/4" x 14" x 18"	6 71031 00502 1



General: Furnish and install as shown on plans, UTILATUB® Laundry/Utility Tub model 21F, as manufactured by E.L. Mustee & Sons, Inc. Tub shall be one-piece molded construction with matched metal molds. Tub to be 18" wide and include integrally molded drain for connection to standard 1-1/2" P-trap, stopper and legs with levelers. 15 gallon capacity tub, 12-3/4" deep. Shall meet ANSI Z 124-2011. Color: White. Weight: 15 lbs.



MUSTEE

E.L. Mustee & Sons, Inc. • 5431 West 164th Street • Brook Park, OH 44142 • Phone: 216.267.3100 • Fax: 216.267.9997
E-mail: info@mustee.com • Web: www.mustee.com • Proudly made in the USA

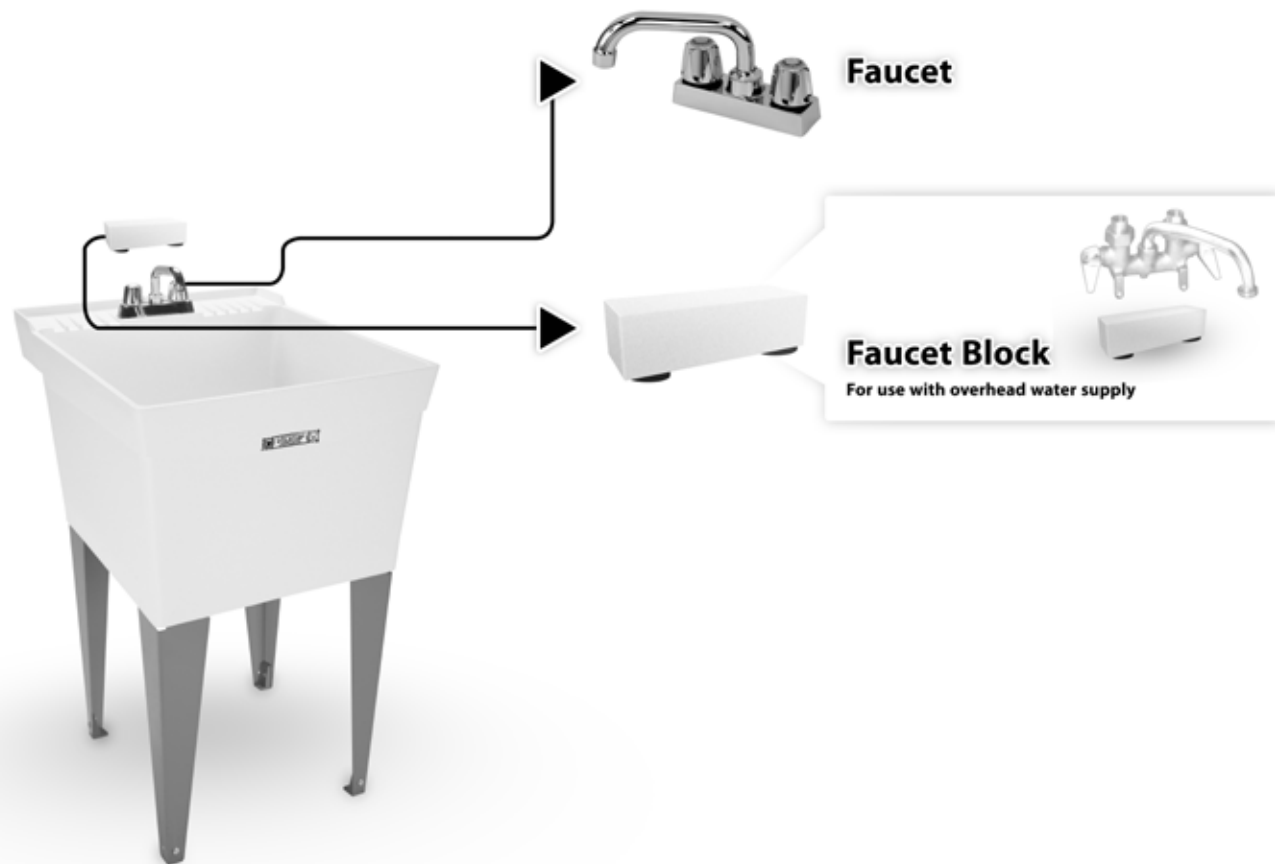
Notice: Our continuous commitment to product improvement may result in changes to product specifications without notice. Patents pending. Made and Printed in U.S.A.



MUSTEE

Preferred by the "Pros"

21F LIL'TUB™ UTILATUB® Utility Tub Accessories



▶ Faucet



Model No.

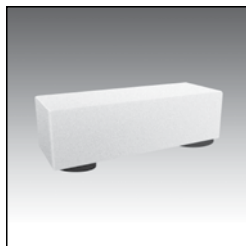
93.600

UPC

6 71031 00232 7

Chrome finish, 4" center set brass faucet. 7" swing spout with aerator, level handles, replaceable seats and stems. Aerator or hose end.

▶ Faucet Block



Model No.

20.600

UPC

6 71031 00031 6

Used when water supply lines are above the tub. Mounts to tub shelf when using a clamp-on faucet.



MUSTEE

E.L. Mustee & Sons, Inc. • 5431 West 164th Street • Brook Park, OH 44142 • Phone: 216.267.3100 • Fax: 216.267.9997
E-mail: info@mustee.com • Web: www.mustee.com • Proudly made in the USA

Notice: Our continuous commitment to product improvement may result in changes to product specifications without notice.
Patents pending. Made and Printed in U.S.A.