

# JASON<sup>®</sup>

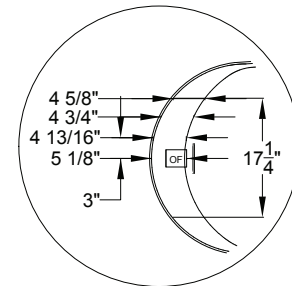
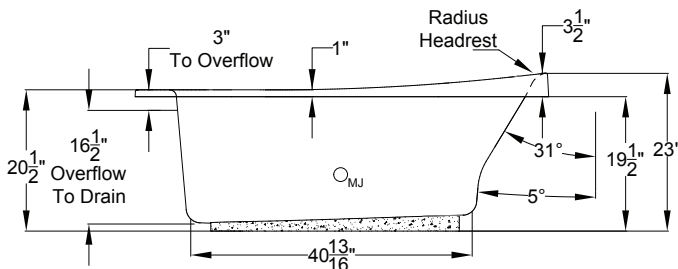
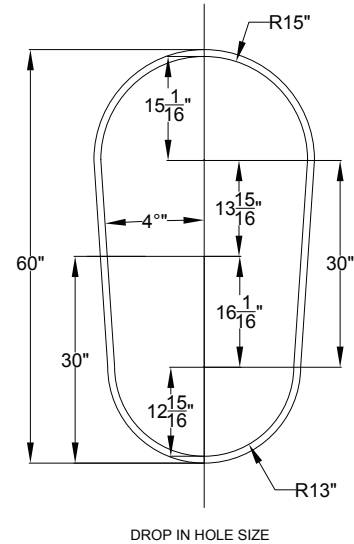
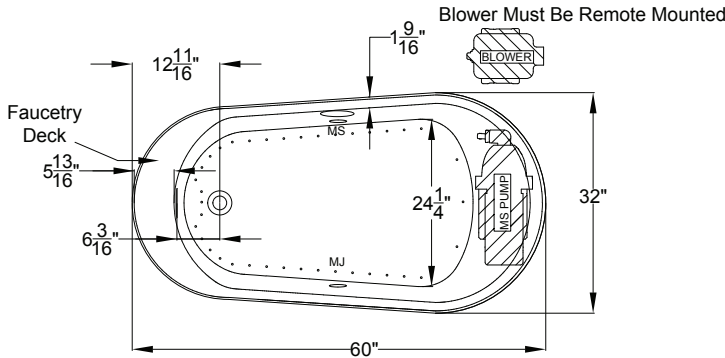
HYDROTHERAPY

8328 MacArthur Dr. • North Little Rock, AR 72118  
 501.771.4477 • Fax: 501.771.2333  
 Customer Service: 800.255.5766  
 www.jasoninternational.com

## forma<sup>®</sup> Collection Specifications

# HE527

### MicroSilk<sup>®</sup> - AirMasseur<sup>®</sup>



Note: Equipment may extend beyond the outside perimeter of the bath.  
 Consult factory for details.




Faucetry Deck Flat Dimensions

Patents received or pending.

Includes Linear Overflow Drain Assembly

Note: Dimensional Tolerances: ±1/4"

<b>Drop-in-Hole Size:</b>	See Diagram
<b>Operating Capacity:</b>	34 Gal.
<b>Overflow Capacity:</b>	71 Gal.
<b>Floor Loading / sq.ft.</b>	58.8 lbs.
<b>Carton Wt.:</b>	137 lbs.
<b>Cube:</b>	33.7 ft. <sup>3</sup>

<b>Standard</b>		<p>A 120V system that includes a MicroSilk<sup>®</sup> unit; a 1HP, variable speed air blower with integral air heater; automatic purge cycle; an electronic control that operated the MicroSilk<sup>®</sup> unit, blower, and blower speed for continuous, pulse or wave massage modes; and a 20-minute timer.</p>
<b>Premier</b>		<p>A 120V system that includes a MicroSilk<sup>®</sup> unit; a 1HP, variable speed air blower with integral air heater; automatic purge cycle; (2) Chromatherapy mood lights; Automatic Ozone System; an electronic control that operates the MicroSilk<sup>®</sup> Unit, blower and blower speed for continuous, pulse or wave massage modes; and a 20-minute timer.</p>
<b>Signature</b>		<p>A 120V system that includes a MicroSilk<sup>®</sup> unit; a 1HP, variable speed air blower with integral air heater; automatic purge cycle; (2) Chromatherapy mood lights; Automatic Ozone System; a digital control with LCD display; low water level and temperature sensors; enhanced user control options; a 20-minute timer; and Bluetooth Sound Immersion System. Control keypad operates the MicroSilk<sup>®</sup> unit, blower and blower speed for continuous, pulse or wave massage modes, LED Chromatherapy lights and shows MicroSilk<sup>®</sup> status, blower speed, water temperature and time remaining.</p>

**Construction:** Fiberglass reinforced acrylic bath with Level Form<sup>™</sup> full-support base.

*We provide products listed with Intertek ETL SEMKO (Edison Testing Laboratories) U.S. and Canadian and with International Association of Plumbing and Mechanical Officials (IAPMO). Consult factory with your listing requirements.*